

## Network Termination/ IW Wire Management Enclosures

**NEW!**



Channell's thermoplastic wall-mount Network Termination and Inside Wire (IW) Bridging Interface enclosures provide customers with a combination of connector options and customized pair terminations to meet current and upgrade

requirements for copper wire interconnections. The wall-mount boxes utilize Channell's exclusive Mini-Rocker™ sealed, tool-less IDC connectors that permit fast, reliable and cost effective installations, resulting in higher quality connections at reduced costs.

### Mini-Rocker Connection System features and benefits include:

- UL listed and Category 5 classified
- The Mini-Rocker Connection System will accommodate most wire design with conductor sizes of 26 AWG -22 AWG (0.4mm to 0.6 mm)
- Pair-at-a-time connections mean copper pairs dramatically reduce time to wire installation and improved wire management
- Insulation Displacement Contacts (IDC) eliminate the need to strip wires, resulting in faster on-site connections
- Tool-less Operation: Finger operated receivers and audible latch down action eliminates problems of breakage through improper use of tools
- Transparent wire receivers allow visual confirmation of proper wire insertion and IDC contact
- High Viscosity Compound (HVC) environmentally seals the connection points eliminating any corrosion and enabling the Mini-Rocker to function in hostile environments
- Quiet-front design and easy test access eliminates incidental contact

# CUSTOMER TERMINATION BOXES (CTB)

CTB5, CTB10 and CTB20 Customer Termination Boxes provide a central point of termination and wire management between the network operator demarcation interface or service drop and building wire. CTB pair count configurations are available for 5-pairs to 20-pairs.

A second application for special configurations of the CTB5 and CTB10 enclosure provides management of multiple "home run" IW wires from one or two common single line inputs.

## Applications

- Control systems and security applications
- Cross connect point for voice and data
- Drop wire terminations for telecommunications cables

## Features

- UV protected thermoplastic construction
- Fitted with environmentally sealed Mini-Rocker™ IDC connectors
- No tools required for termination, 26AWG - 22AWG (0.4mm-0.6mm)
- UL listed, Category 5 connectors
- Bridging module used as "common IW block" for telephone extensions

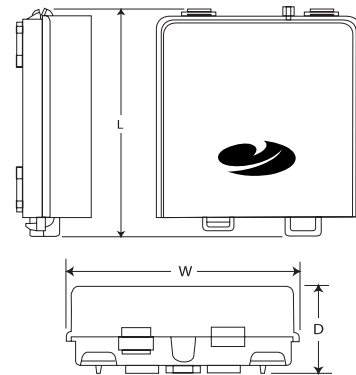
## Specifications

### Dimensions

Description	Length	Width	Depth
CTB05	3.5" (90mm)	4.7" (120mm)	1.9" (47mm)
CTB10	6.5" (165mm)	5.1" (130mm)	1.9" (47mm)
CTB20	9.3" (235mm)	6.1" (155mm)	2.2" (57mm)

### Packaging

Description	Shipping	Weight
CTB05	100 per carton	50 lbs (22.7 kg) carton
CTB10	50 per carton	40 lbs (18.1 kg) carton
CTB20	30 per carton	33 lbs (14.9 kg) carton



## Ordering Information

### Customer Termination Boxes (CTB) \*



CTB20F02



CTB10D02

### Application - Network Termination

Part Number	Description
CTB05E01	Enclosure with one 5-pair symmetrical MiniRocker Module
CTB10E02	Enclosure with two 5-pair symmetrical MiniRocker Modules
CTB20F02	Enclosure with two 10-pair symmetrical MiniRocker Modules

### Application - Inside Wire Management

Part Number	Description
CTB05C01	Enclosure with one 1-In/4-Out Bridging Module
CTB10C01	Enclosure with one 1-In/4-Out Bridging Module
CTB10C02	Enclosure with two 1-In/4-Out Bridging Modules
CTB10D01	Enclosure with one 1-In/5-Out Bridging Module
CTB10D02	Enclosure with two 1-in/5-Out Bridging Modules

\* Refer to Copper Connectivity products catalog for available MiniRocker accessories

# UNIVERSAL DISTRIBUTION BOXES (UDB)

Universal Distribution Boxes are outdoor enclosures designed for multiple applications. Similar in design and construction, two sizes are offered for various capacity requirements. One version of the UDB is equipped as a central point of termination and wire management between the network operator demarcation interface or service drop and the inside building wire. The UDB50 accommodates up to 50 pairs, and the UDB100 accommodates up to 100 pairs. The Channell MiniRocker 10-pair modules can be added to the UDB enclosures as needed for both first installation and future upgrades.

## Applications

- Building interface for distribution drop and inside wires
- Distribution and cross connect point for voice/data
- Drop wire termination/IW wire management
- Internal and external use
- Pole/wall mountable

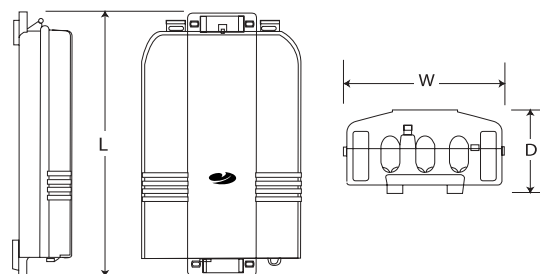
## Features

- Will accept looped or single cables
- UV protected, durable thermoplastic construction
- Fitted with moisture resistant connectors
- Positive lid latching in both open and closed positions
- Loaded with Mini-Rockers IDC connector modules
- Secure to prevent unauthorized access

## Specifications

### Dimensions

Description	Length	Width	Depth
UDB50	10.4" (263mm)	8.7" (220mm)	3.3" (83mm)
UDB100	16.3" (414mm)	11.4" (289mm)	3.8" (96mm)



### Packaging

Description	Shipping	Weight
UDB50	55 per carton	125 lbs (56.8 kg) carton
UDB100	5 per carton	25 lbs (11.4 kg) carton

## Ordering Information

### Universal Distribution Boxes (UDB) \*



UDB50B05

### Application - Network Termination

Part Number	Description
UDB50B01	Enclosure fitted with one 10-pair symmetrical MiniRocker Module
UDB50B05	Enclosure fitted with five 10-pair symmetrical MiniRocker Modules
UDB100B03	Enclosure fitted with three 10-pair symmetrical MiniRocker Modules
UDB100B10	Enclosure fitted with ten 10-pair symmetrical MiniRocker Modules

\* Refer to Copper Connectivity products catalog for available MiniRocker accessories

# DMB SERIES IW WIRE MANAGEMENT BOXES

DMB Series enclosures are designed for the centralized management of multiple “home run” IW wires from single line inputs. Individual 1-in, 4-out and 1-in, 5-out bridging modules are provisioned for each line.

## Applications

- Building interface for distribution drop and inside wires
- Distribution and cross connect point for voice/data
- Drop wire termination/IW wire management
- Internal and external use
- Pole/wall mountable

## Features

- Will accept looped or single cables
- UV protected, durable thermoplastic construction
- Fitted with moisture resistant connectors
- Positive lid latching in both open and closed positions
- Loaded with Mini-Rockers IDC connector modules
- Secure to prevent unauthorized access

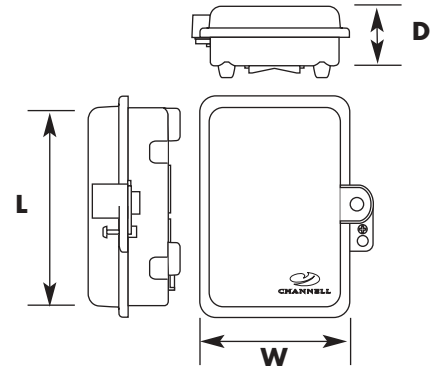
## Specifications

### Dimensions

Description	Length	Width	Depth
DMBP138	9.0" (228.6mm)	6.1" (154.9mm)	3.1" (78.7mm)

### Packaging

Description	Shipping	Weight
DMBP138	24 per carton	24 lbs (10.9 kg) carton



## Ordering Information

### Demarcation Boxes (DMB)

#### Application - Inside Wire Management



DMBP138C12L31A046



#### Part Number

DMBP138C12L31A022

DMBP138C12L31A026

DMBP138C12L31A042

DMBP138C12L31A046

#### Description

Enclosure with three ports with two 1-In/4-Out Bridging Modules

Enclosure with three ports with six 1-In/4-Out Bridging Modules

Enclosure with three ports with two 1-In/5-Out Bridging Modules

Enclosure with three ports with six 1-In/5-Out Bridging Modules

*Note: additional MiniRocker Bridging Modules can be ordered.*

#### Part Number

CMRD05

CMRD06

#### Description

1-In/4-Out MiniRocker Bridging Module  
Carton of 12

1-In/5-Out MiniRocker Bridging Module  
Carton of 12



**USA:** Channell Commercial Corporation, Temecula, CA • Tel.800.423.1863 • Fax.951.296.2322

**CANADA:** Channell Canada, Inc. • Tel. 905.565.1700 • Fax. 905.565.8080

**EUROPE, MIDDLE EAST, AFRICA:** Channell Ltd., London, UK • Tel. 44.1689.871522 • Fax 44.1689.833428

**AUSTRALIA, ASIA, PACIFIC RIM:** Channell Pty. Ltd., Sydney, Australia • Tel.61.2.9738.8277 • Fax.61.2.9738.9763

**WORLDWIDE HEADQUARTERS:** Channell Commercial Corporation • 951.719.2600 • 26040 Ynez Road • P.O. Box 9022 • Temecula, CA 92589-9022, USA